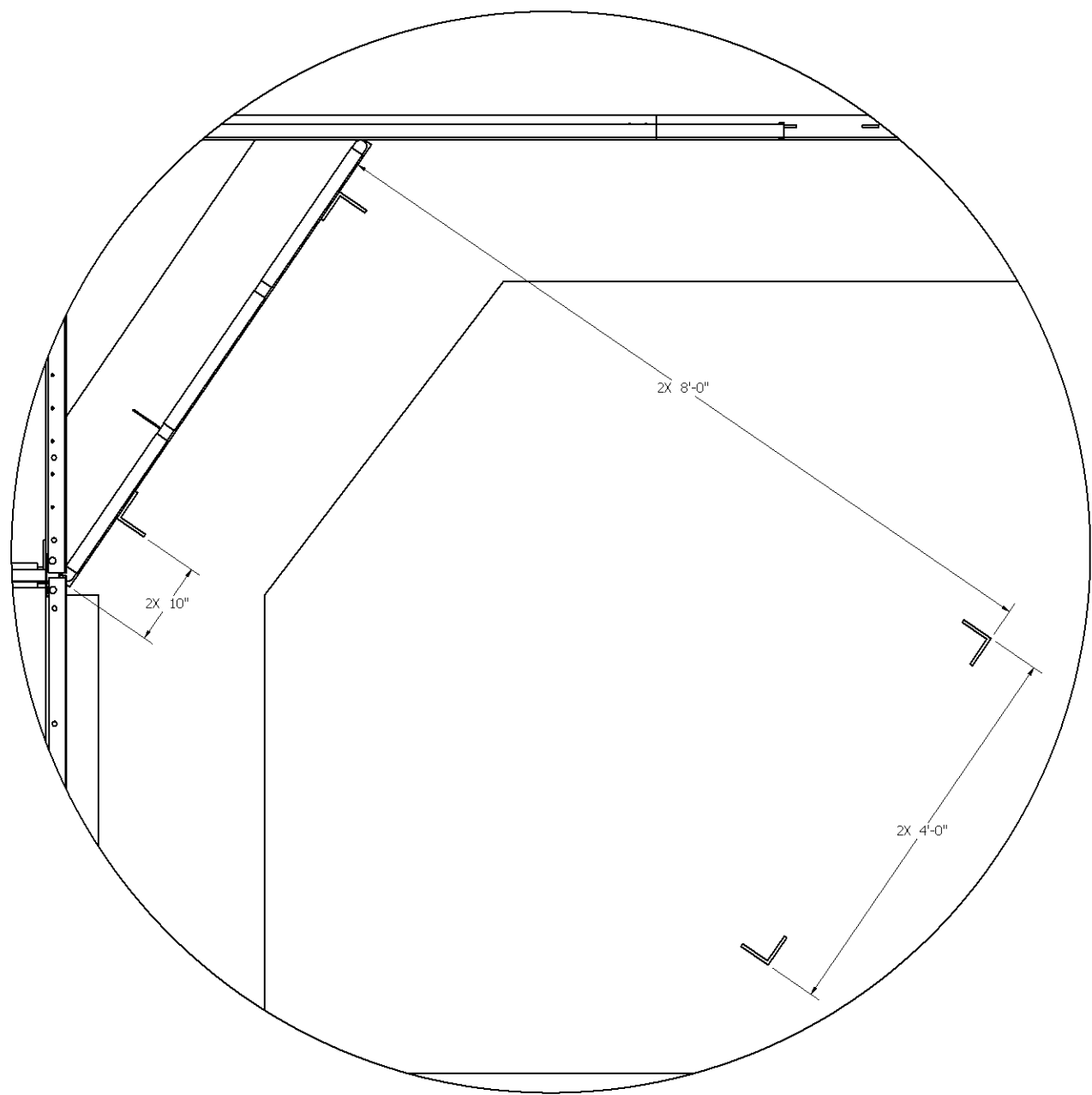


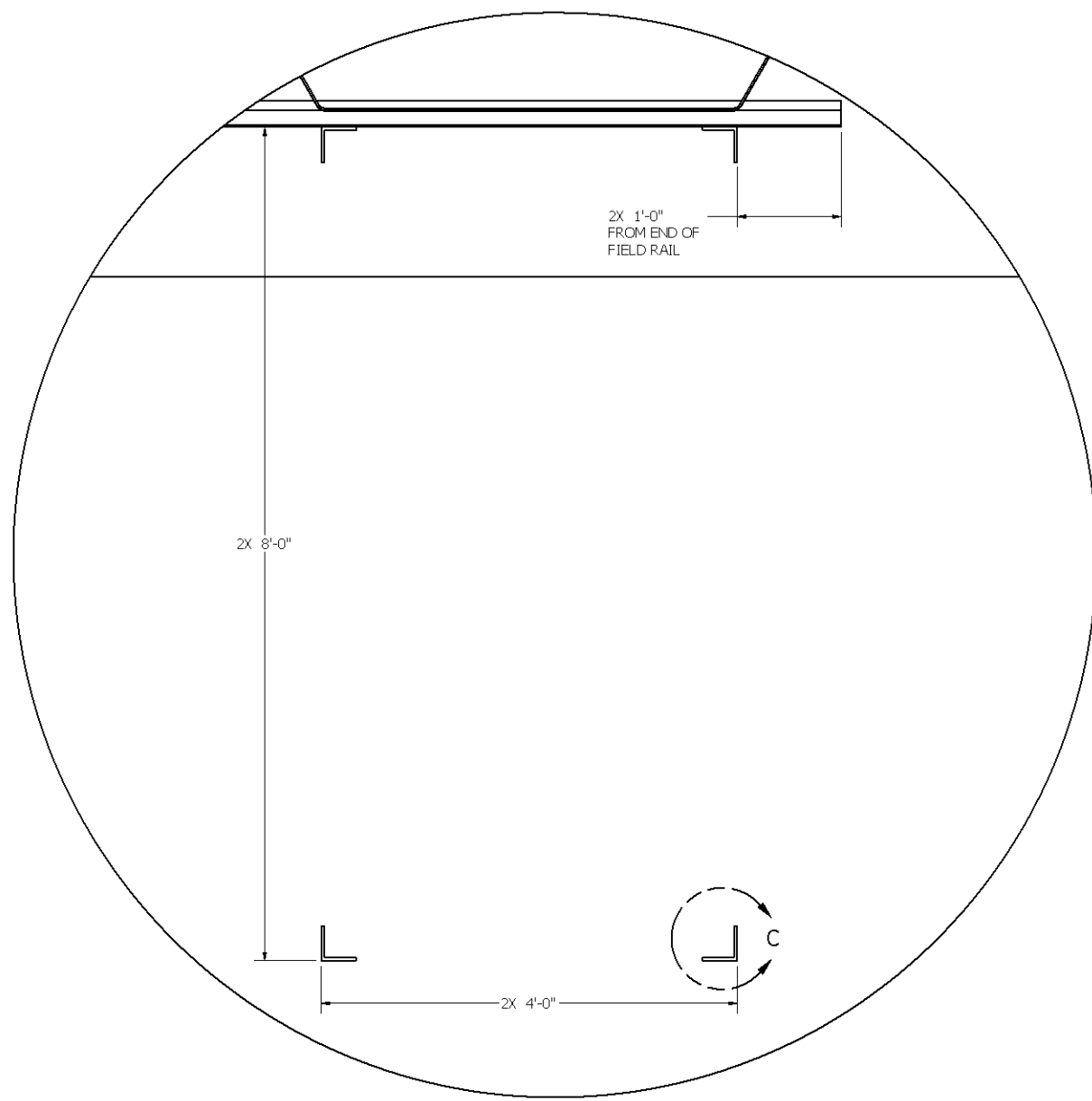
NOTES:

1. ALL TAPE TO BE GAFFERS TAPE UNLESS OTHERWISE SPECIFIED.

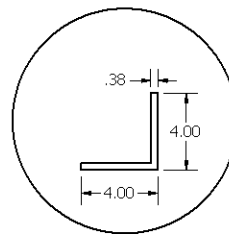
DRAWN dfoster	12/29/2008	FIRST 200 Bedford Street, Manchester, NH 03101 (603) 666-3906 -- FAX (603) 666-3907
CHECKED		
UNLESS OTHERWISE SPECIFIED		TITLE
TOLERANCES: (INCHES)		2009 FRC Field - Layout and Marking
FRAC.	+/- 1/32	SIZE DWG NO
.00	+/- .01	D FE-00030
.000	+/- .005	REV 1
ANGULAR	+/- .25 Deg.	SCALE
		SHEET 1 OF 2



DETAIL A
SCALE 1/10



DETAIL B
SCALE 1/10



DETAIL C
SCALE 1 / 5

Notes:

1. Detail A is repeated in all 4 corners.
2. Detail B is repeated in front of both Outpost Players Stations.
3. Launch Pad marking will be made with black permanent marker.
4. Detail C is typical for all Launch Pad marking.

DRAWN dfoster	12/29/2008	FIRST 200 Bedford Street, Manchester, NH 03101 (603) 666-3906 -- FAX (603) 666-3907		
CHECKED				
UNLESS OTHERWISE SPECIFIED		TITLE 2009 FRC Field - Layout and Marking		
TOLERANCES: (INCHES)				
FRAC.	+/- 1/32	SIZE	DWG NO	REV
.00	+/- .01	D	FE-00030	1
.000	+/- .005	SCALE		
ANGULAR	+/- .25 Deg.	SHEET 2 OF 2		