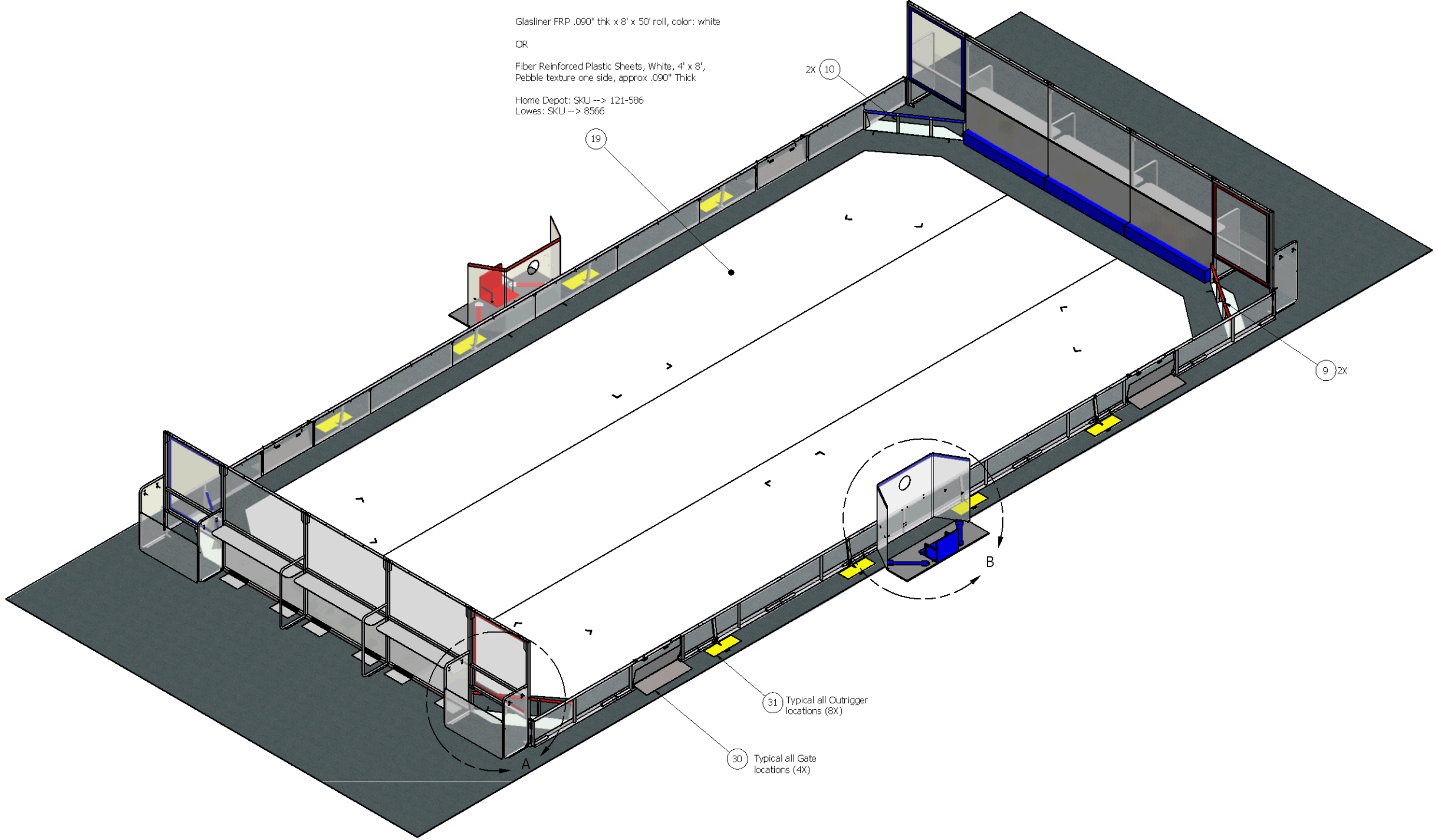


REVISION HISTORY				
ZONE	REV	DESCRIPTION	DATE	APPROVED
NA	A	See Sheet 4	1/13/2009	narosenberg

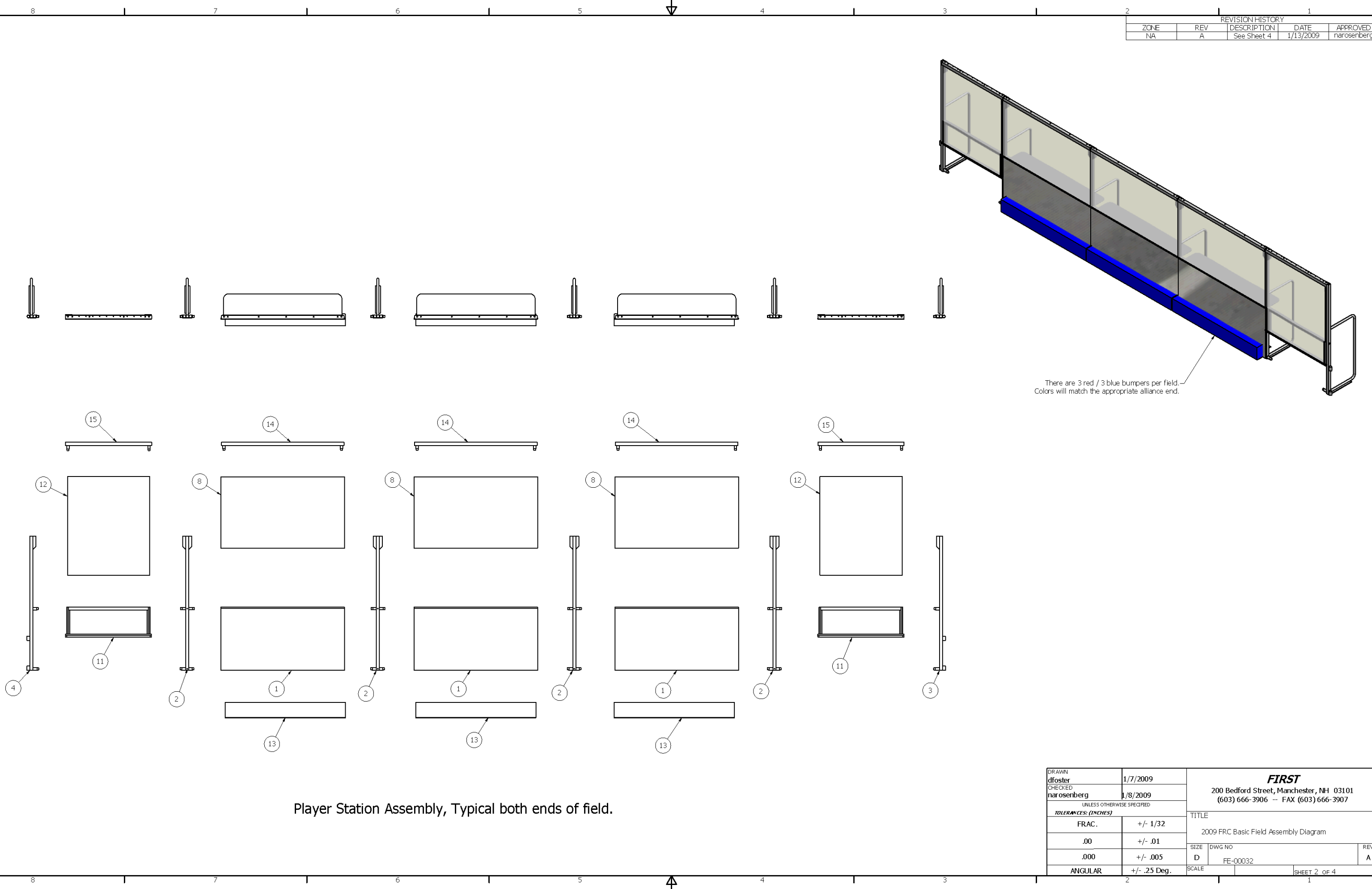
Glasliner FRP .090" thk x 8' x 50' roll, color: white
 OR
 Fiber Reinforced Plastic Sheets, White, 4' x 8',
 Pebble texture one side, approx .090" Thick
 Home Depot: SKU --> 121-586
 Lowes: SKU --> 8566



Parts List			
ITEM	QTY	PART NUMBER	DESCRIPTION
1	6	FE-00004	End Panel
2	8	FE-00001	Driver's Station Support Assy
3	2	FE-00002	Corner Supports - Right Version
4	2	FE-00002	Corner Supports - Left Version
5	2	FE-00024	Field Rail Assy - Right
6	2	FE-00023	Field Rail Assy - Left
7	10	FE-00022	Field Rail Assy - Mid
8	6	FE-00012	Drivers Station Acrylic
9	2	GE-09010	Airlock Right Side
10	2	GE-09012	Airlock Left Side
11	4	GE-09011	Fueling Port Glass Hanger
12	4	GE-09022	Fueling Port Plastic
13	6	GE-09013	Players Station Bumper
14	6	FE-00007	Field Top Rail Assy
15	4	GE-09031	Top Rail - Fueling Port
16	2	GE-09014	Outpost Shield
17	2	GE-09032	Outpost Base
18	2	PP-00023	Seat, Outpost
19	3	PP-00035	Regolith
20	8	FE-00013	Field Outrigger
21	4	GE-09023	Fueling Port Rear Plastic
22	8	GE-09039	Fueling Port Upright Plastic
23	24	PP-00033	Straight Peg Hook, Double Prong
24	2	PP-00034	Seatbelt, Outpost
25	4	FE-00008	Field Plastic "A"
26	8	FE-00009	Field Plastic "B"
27	8	FE-00010	Field Plastic "C"
28	4	FE-00029	Field Gate Assembly
29	4	FE-00017	Gate Plastic Assembly
30	4	FE-00014	Field Entry Ramp
31	8	FE-00015	Trip Guard
32	4	FE-00003	Rail Pin Assembly

DRAWN dfoster	1/7/2009	FIRST 200 Bedford Street, Manchester, NH 03101 (603) 666-3906 -- FAX (603) 666-3907
CHECKED narosenberg	1/8/2009	
UNLESS OTHERWISE SPECIFIED		TITLE
TOLERANCES: (INCHES)		2009 FRC Basic Field Assembly Diagram
FRAC.	+/- 1/32	SIZE DWG NO
.00	+/- .01	D FE-00032
.000	+/- .005	SCALE
ANGULAR	+/- .25 Deg.	SHEET 1 OF 4

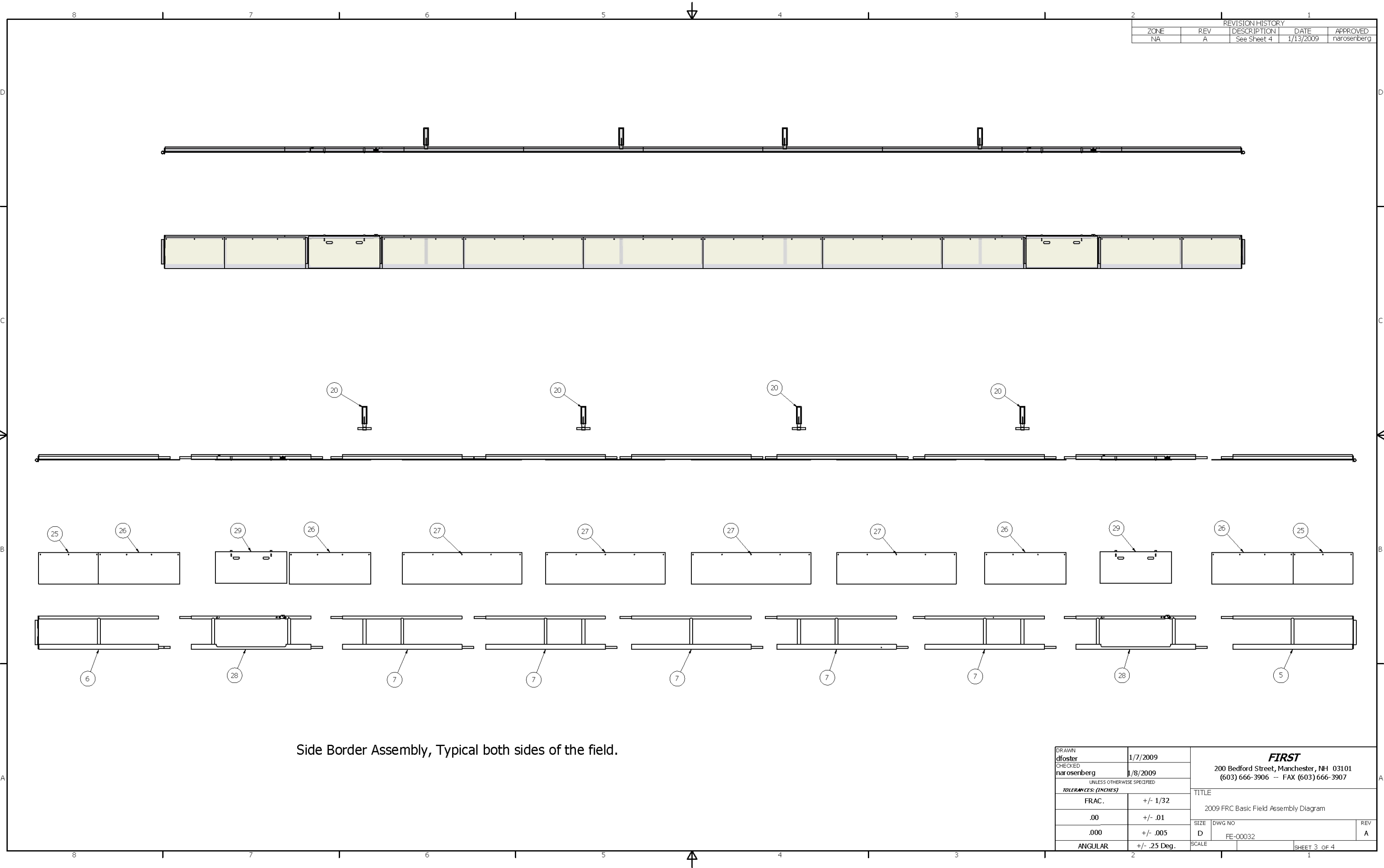
REVISION HISTORY				
ZONE	REV	DESCRIPTION	DATE	APPROVED
NA	A	See Sheet 4	1/13/2009	narosenberg



Player Station Assembly, Typical both ends of field.

DRAWN dfoster	1/7/2009	FIRST 200 Bedford Street, Manchester, NH 03101 (603) 666-3906 -- FAX (603) 666-3907
CHECKED narosenberg	1/8/2009	
UNLESS OTHERWISE SPECIFIED		TITLE
TOLERANCES: (INCHES)		2009 FRC Basic Field Assembly Diagram
FRAC.	+/- 1/32	SIZE DWG NO
.00	+/- .01	D FE-00032
.000	+/- .005	REV
ANGULAR	+/- .25 Deg.	A
SCALE		SHEET 2 OF 4

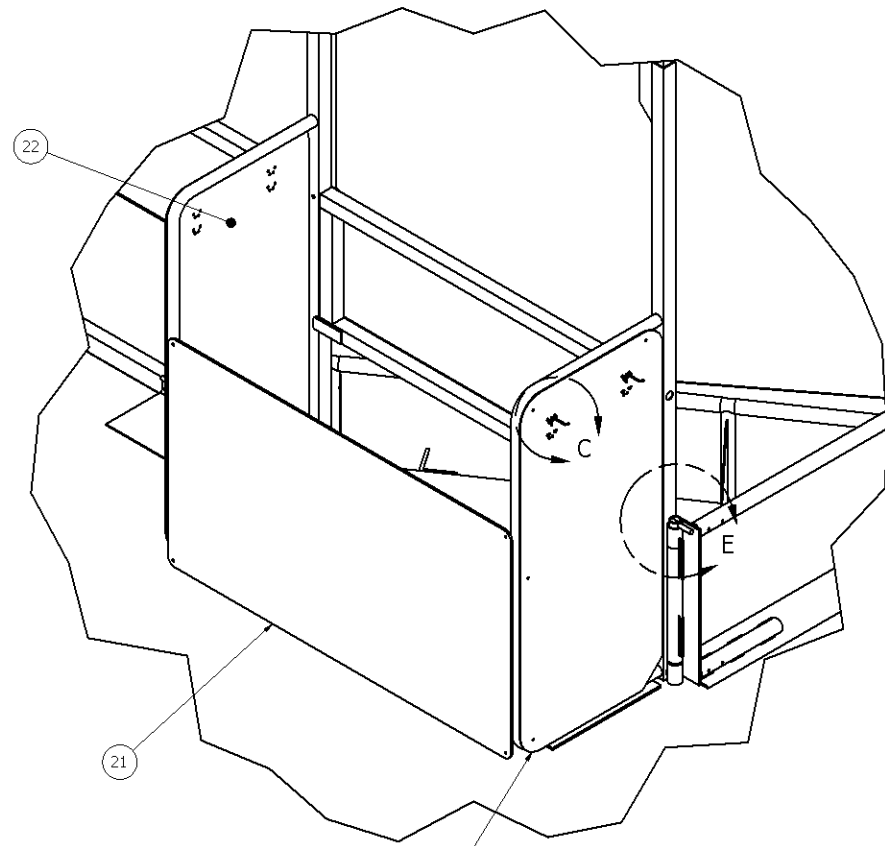
REVISION HISTORY				
ZONE	REV	DESCRIPTION	DATE	APPROVED
NA	A	See Sheet 4	1/13/2009	narosenberg



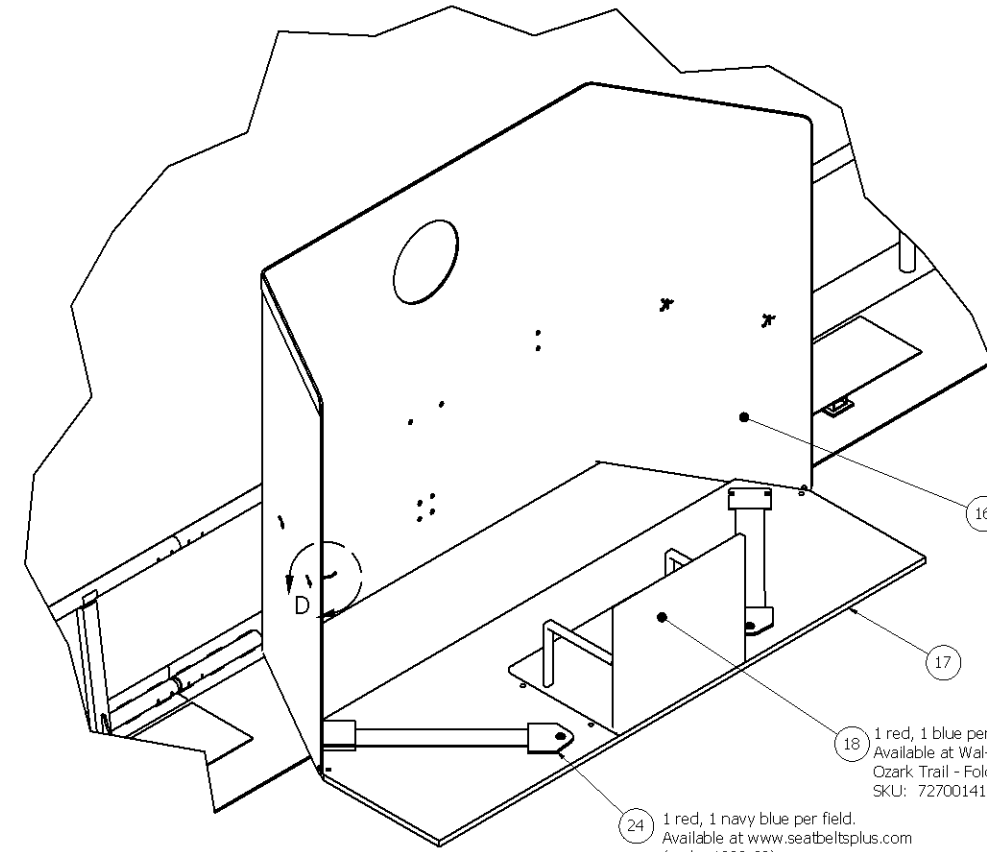
Side Border Assembly, Typical both sides of the field.

DRAWN dfoster	1/7/2009	FIRST 200 Bedford Street, Manchester, NH 03101 (603) 666-3906 -- FAX (603) 666-3907
CHECKED narosenberg	1/8/2009	
UNLESS OTHERWISE SPECIFIED		TITLE
TOLERANCES (INCHES)		2009 FRC Basic Field Assembly Diagram
FRAC.	+/- 1/32	SIZE DWG NO
.00	+/- .01	D FE-00032
.000	+/- .005	SCALE
ANGULAR	+/- .25 Deg.	SHEET 3 OF 4
		REV A

REVISION HISTORY				
ZONE	REV	DESCRIPTION	DATE	APPROVED
B-2	A	Added purchasing info to Item 18 notation	1/13/2009	narosenberg

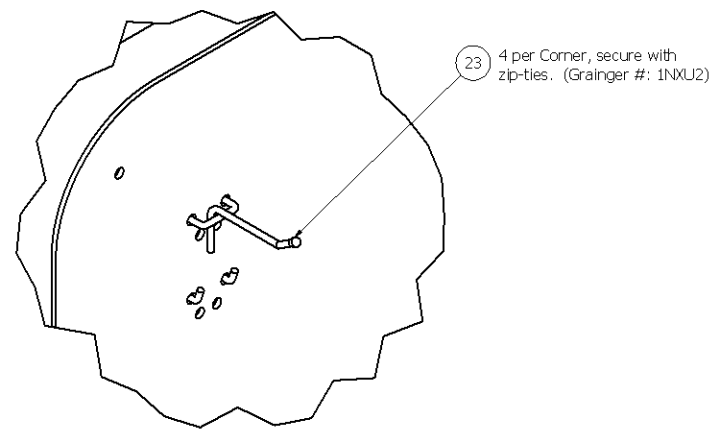


DETAIL A
SCALE 1/10

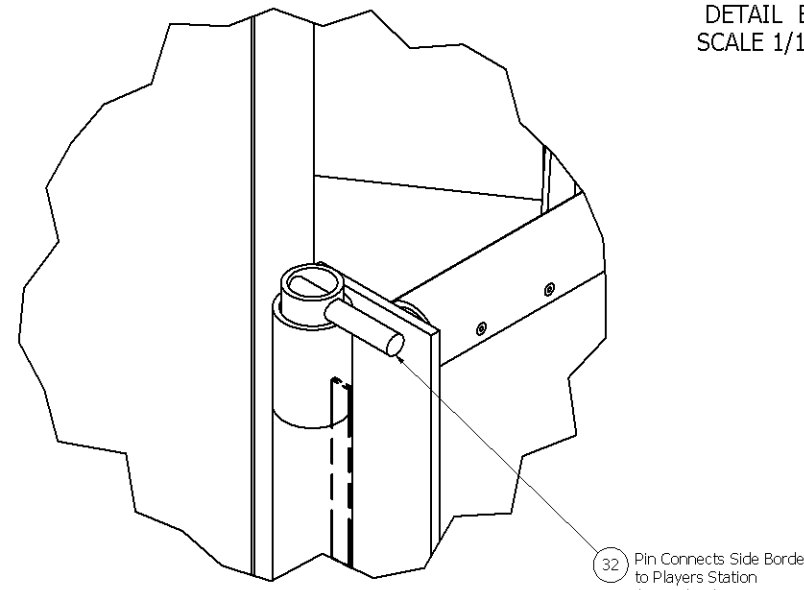


DETAIL B
SCALE 1/10

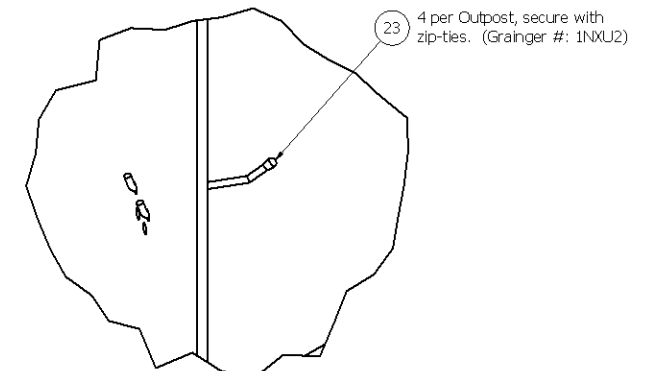
- 18 1 red, 1 blue per field Stadium Seat
Available at Wal-Mart
Ozark Trail - Folding Stadium Seat (with arm rests)
SKU: 727001411740 A
- 24 1 red, 1 navy blue per field.
Available at www.seatbeltsplus.com
(code: 1800-60)



DETAIL C
SCALE 1 / 2



DETAIL E
SCALE 1 / 2



DETAIL D
SCALE 1 / 2

DRAWN dfoster	1/7/2009	FIRST 200 Bedford Street, Manchester, NH 03101 (603) 666-3906 -- FAX (603) 666-3907	
CHECKED narosenberg	1/8/2009		
UNLESS OTHERWISE SPECIFIED		TITLE	
TOLERANCES: (INCHES)		2009 FRC Basic Field Assembly Diagram	
FRAC.	+/- 1/32	SIZE	DWG NO
.00	+/- .01	D	FE-00032
.000	+/- .005	SCALE	REV
ANGULAR	+/- .25 Deg.		A
			SHEET 4 OF 4