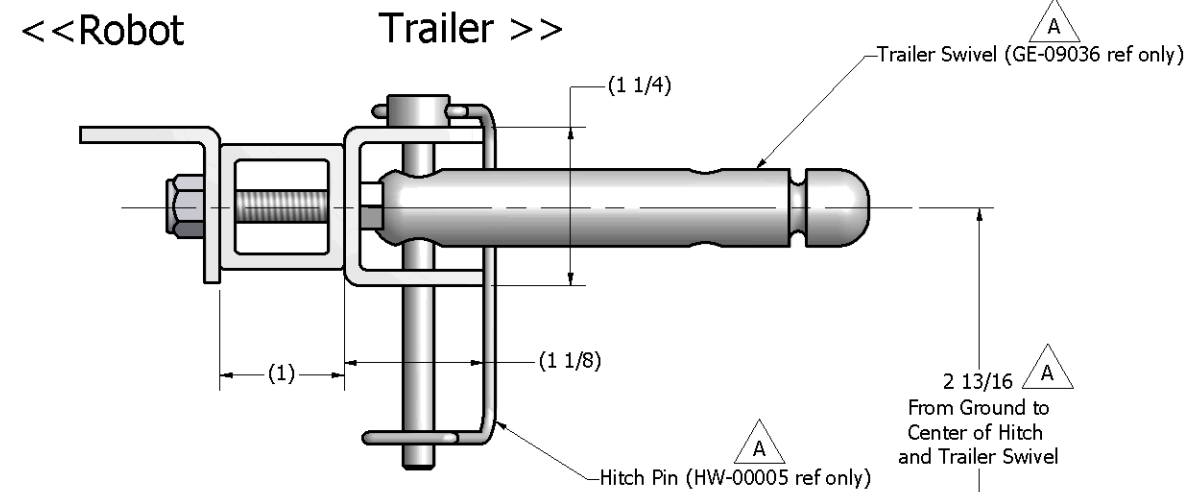
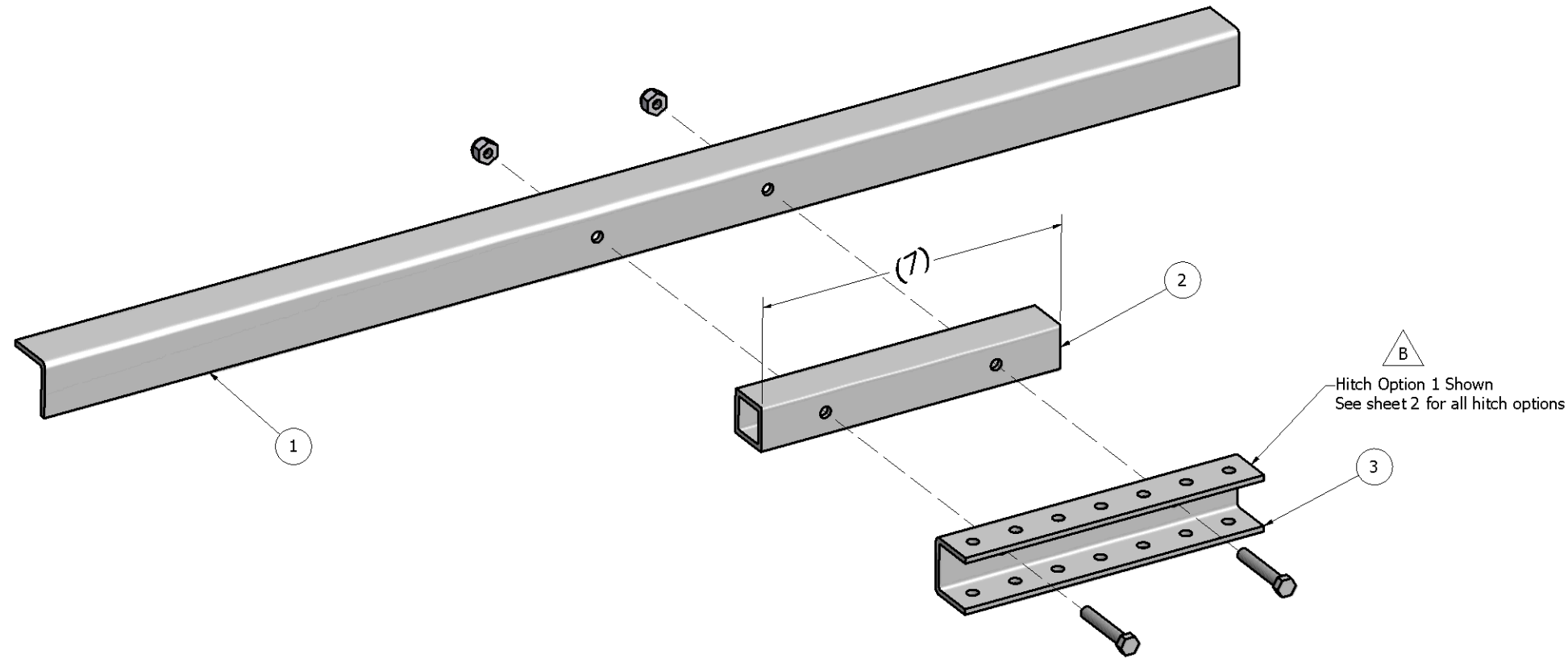


REVISION HISTORY				
ZONE	REV	DESCRIPTION	DATE	APPROVED
B-2	A	Removed 2.5" dim, Added 2 13/16" dim, Added Trailer Swivel and Hitch Pin to view, relocated Parts List	1/20/2009	dfoster
C-2	B	Added Note, Added sheet 2	2/3/2009	dfoster

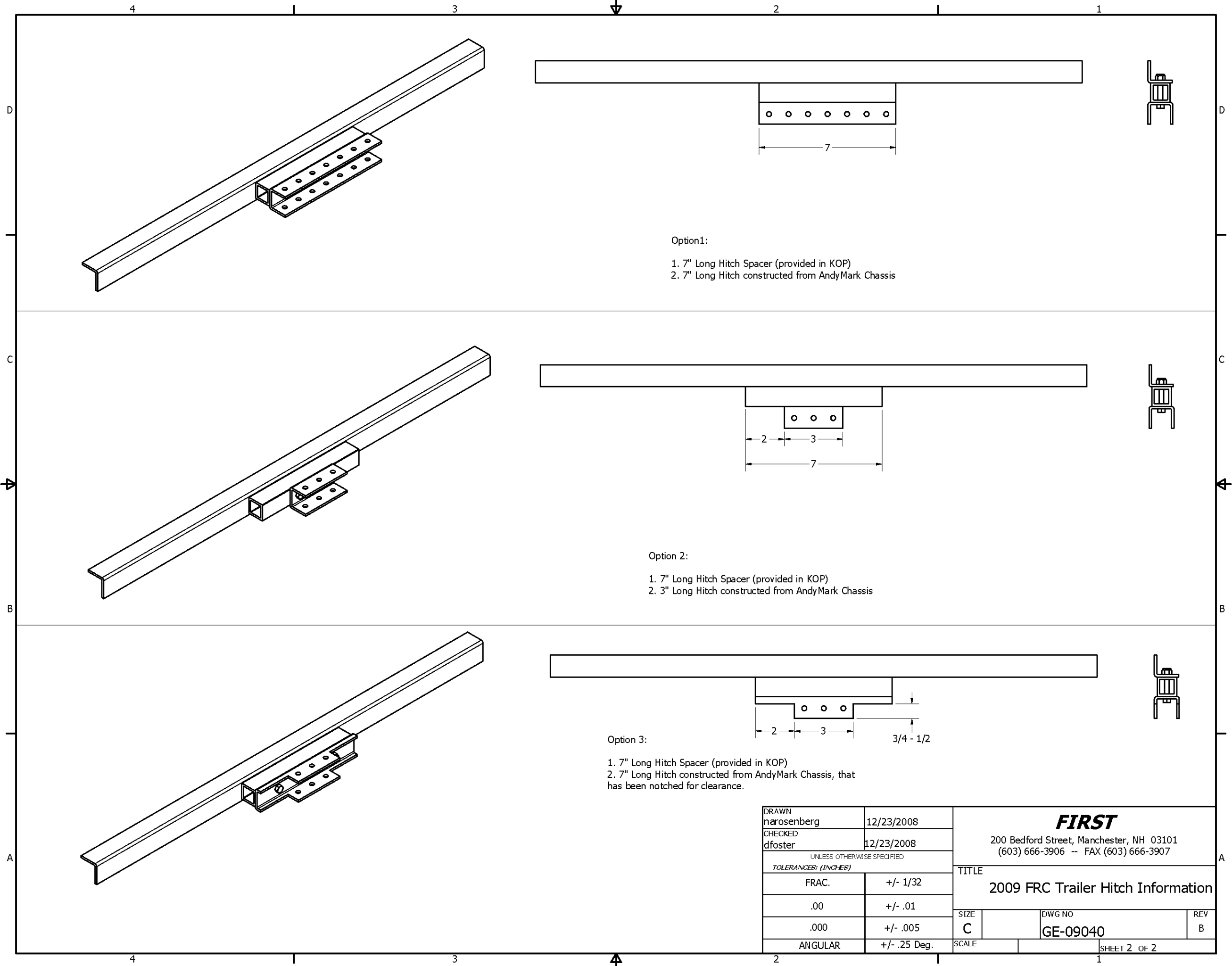


Parts List		
ITEM	DESIGNATION	DESCRIPTION
1	Robot	Generic Robot Component
2	Trailer Spacer	Provided in KOP
3	Trailer Mount Bar	Fabricate from KOP Robot Chassis material

Notes:

- Information provided to supplement 2009 FRC Game Manual, Chapter 8.
- Item 2 and Item 3 are mandatory per 2009 FRC Game Manual.

DRAWN narosenberg	12/23/2008	FIRST 200 Bedford Street, Manchester, NH 03101 (603) 666-3906 -- FAX (603) 666-3907	
CHECKED dfoster	12/23/2008		
UNLESS OTHERWISE SPECIFIED		TITLE	
FRAC.	+/- 1/32	2009 FRC Trailer Hitch Information	
.00	+/- .01	SIZE	DWG NO
.000	+/- .005	C	GE-09040
ANGULAR	+/- .25 Deg.	SCALE	REV B
		SHEET 1 OF 2	



Option 1:

- 1. 7" Long Hitch Spacer (provided in KOP)
- 2. 7" Long Hitch constructed from AndyMark Chassis

Option 2:

- 1. 7" Long Hitch Spacer (provided in KOP)
- 2. 3" Long Hitch constructed from AndyMark Chassis

Option 3:

- 1. 7" Long Hitch Spacer (provided in KOP)
- 2. 7" Long Hitch constructed from AndyMark Chassis, that has been notched for clearance.

DRAWN	narosenberg	12/23/2008
CHECKED	dfoster	12/23/2008
UNLESS OTHERWISE SPECIFIED		
TOLERANCES: (INCHES)		
FRAC.	+/- 1/32	
.00	+/- .01	
.000	+/- .005	
ANGULAR	+/- .25 Deg.	

FIRST		
200 Bedford Street, Manchester, NH 03101 (603) 666-3906 -- FAX (603) 666-3907		
TITLE 2009 FRC Trailer Hitch Information		
SIZE	DWG NO	REV
C	GE-09040	B
SCALE	SHEET 2 OF 2	